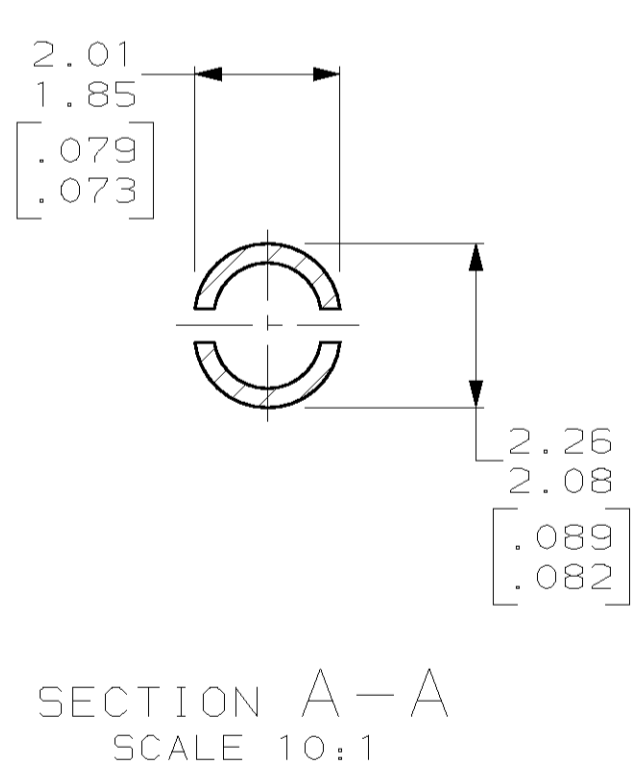
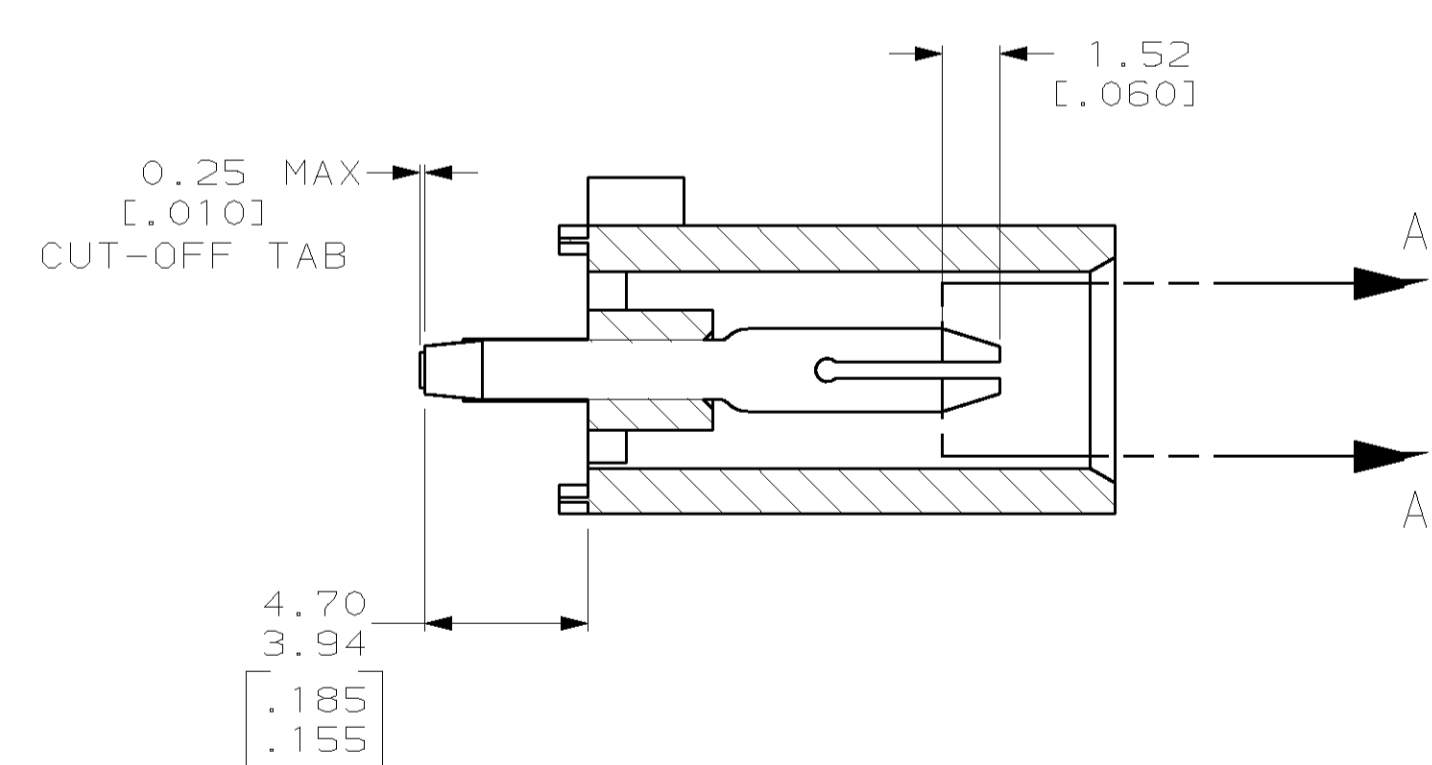
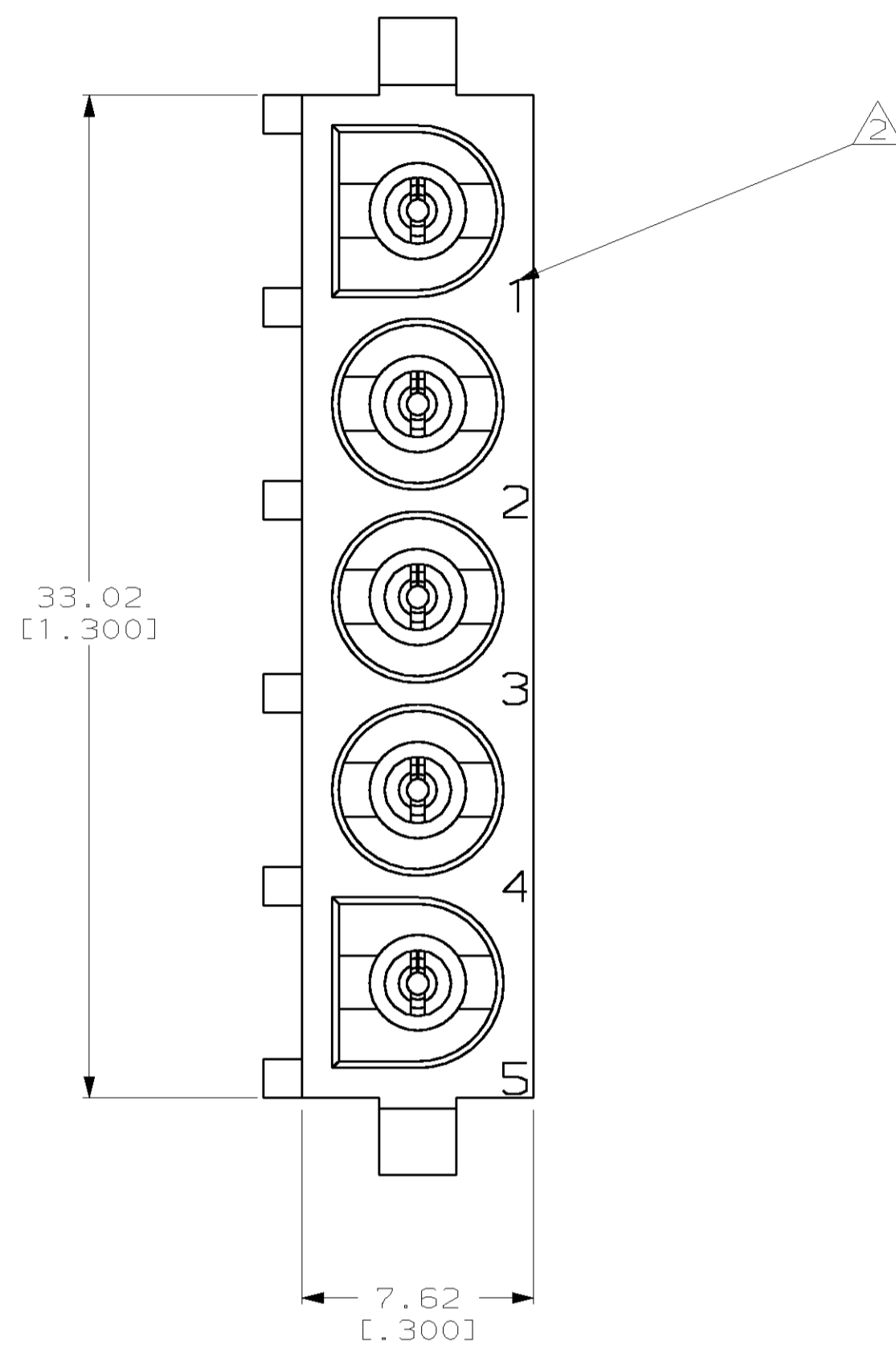
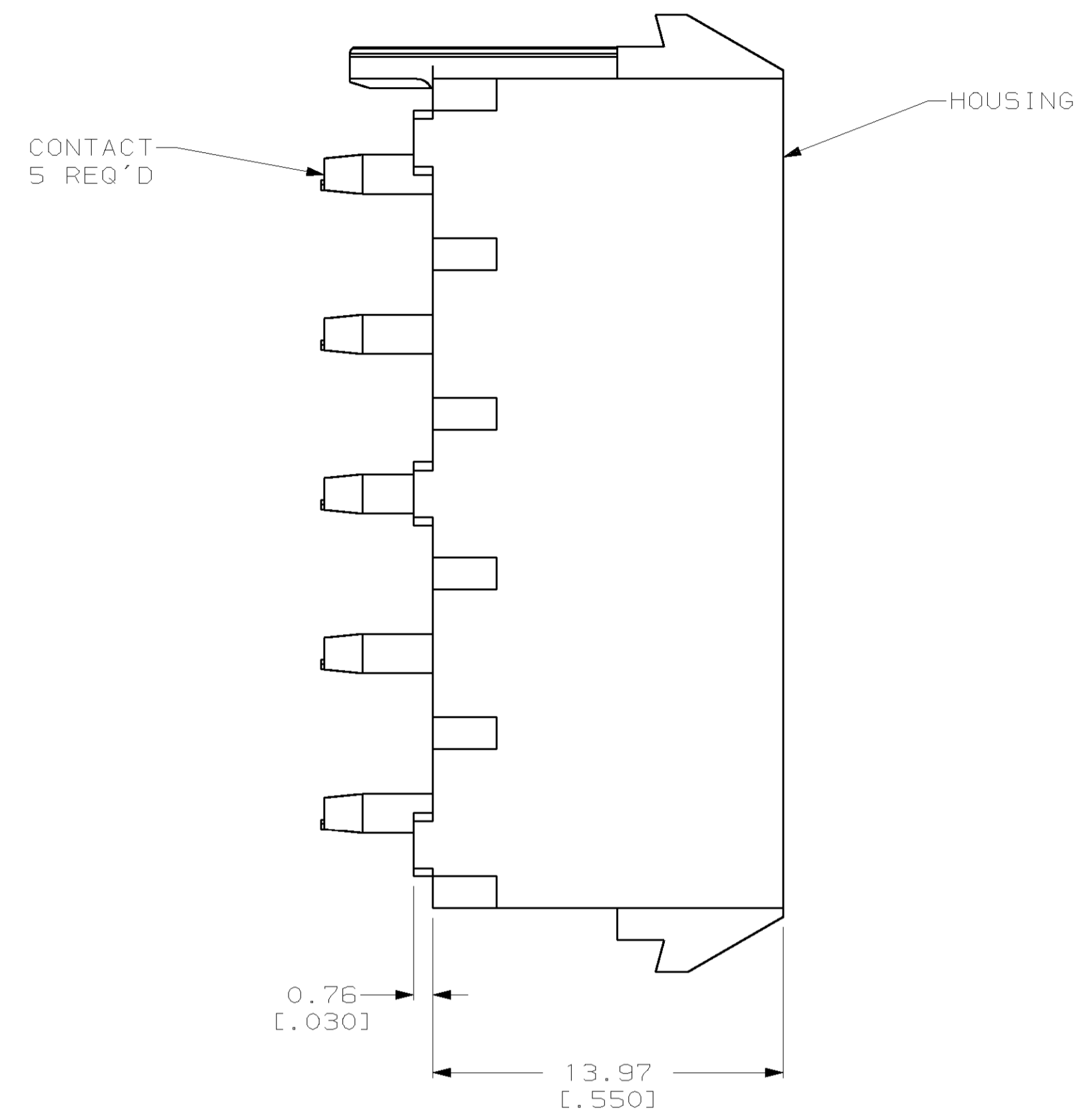
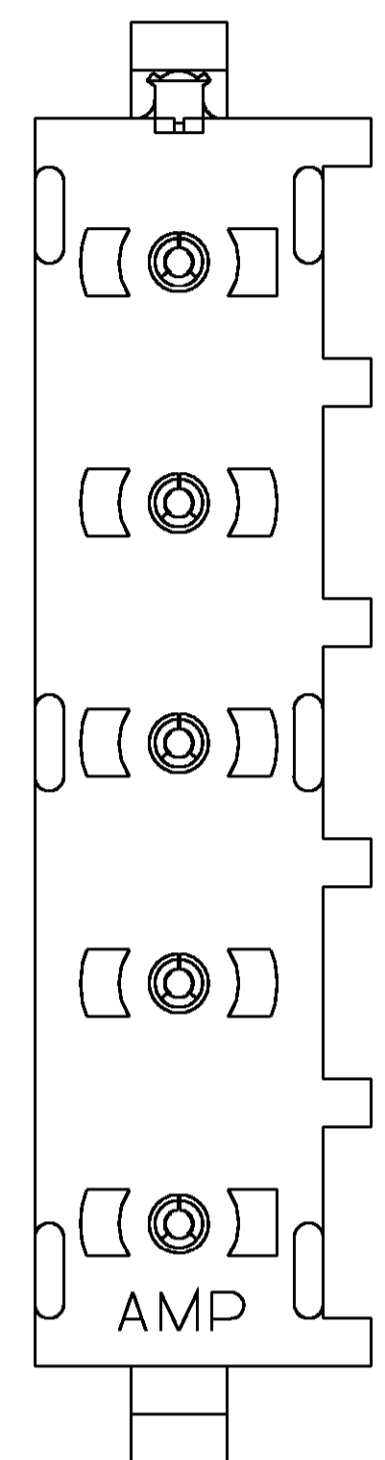


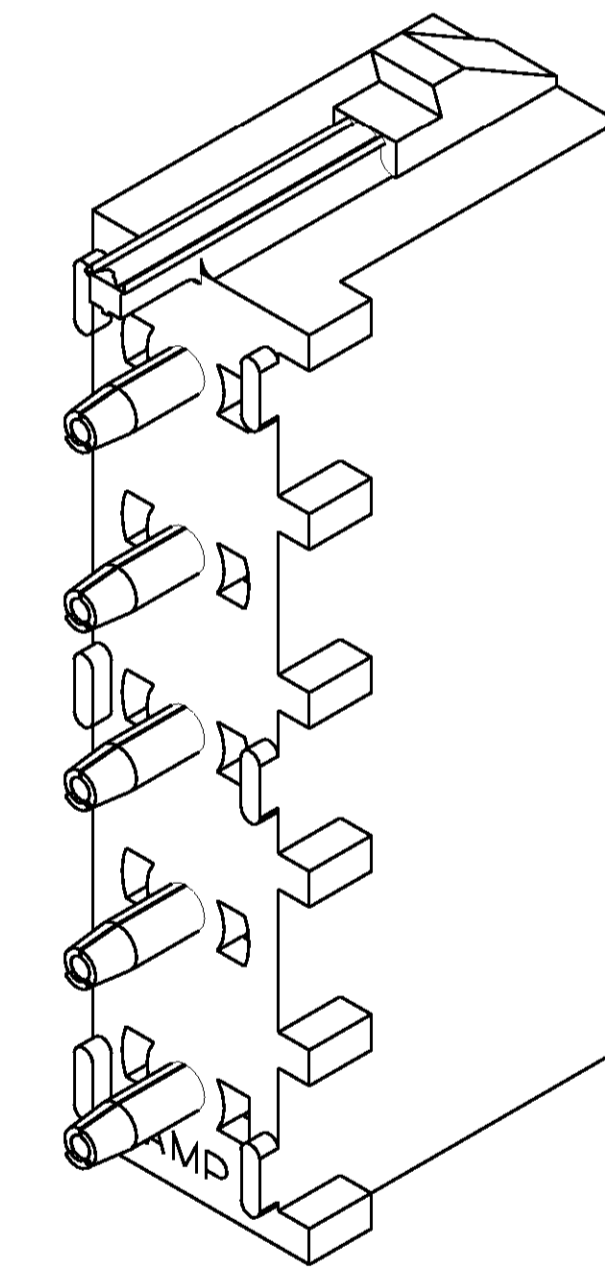
LOC	DIST	REVISIONS			
F	CHR	DESCRIPTION	DATE	OWN	APVD
CM	00	N	REVISED PER EC 063B-0295-00	23-JUN-00	LM KC

- PARTS COMPLY TO AMP SOLDERABILITY SPECIFICATION 109-11-3.
- CIRCUIT IDENTIFICATION CHARACTERS ARE ADJACENT TO THE INDICATED CAVITIES, BUT LOCATION AND ORIENTATION MAY DIFFER FROM PRINT.

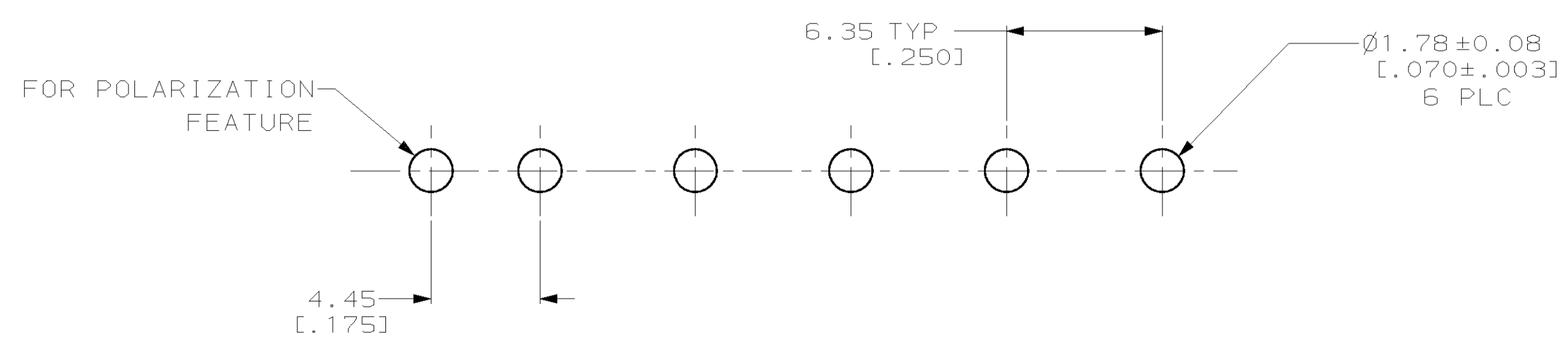
4. DIMENSIONS IN BRACKETS ARE IN INCHES.



SECTION A-A
SCALE 10:1



3-DIMENSIONAL MODEL
NTS



RECOMMENDED MOUNTING HOLE PATTERN
FOR 1.57 [.062] THICK P.C. BOARD

PHOSPHOR BRONZE, PRE-TIN	NYLON, UL94V-0, BLACK	643406-3
PHOSPHOR BRONZE, PRE-TIN	NYLON, UL94V-0, WHITE	643406-1
PIN CONTACT MATERIAL AND FINISH	HOUSING MATERIAL	PART NO

THIS DRAWING IS A CONTROLLED DOCUMENT.		DWN L. McEACHIN 07-JAN-2000	AMP Incorporated Harrisburg, PA 17105-3608
DIMENSIONS: mm (INCHES)		CHK K. COBLE 07-JUN-2000	
TOLERANCES UNLESS OTHERWISE SPECIFIED:		APVD K. COBLE 07-JUN-2000	NAME PIN HEADER ASSEMBLY, POLARIZED, 5 CIRCUIT, UNIVERSAL MATE-N-LOK™
0 PLC ±	1 PLC ±	PRODUCT SPEC	SIZE A1
2 PLC ±0.13 (.005)	3 PLC ±	APPLICATION SPEC	CAGE CODE 00779
4 PLC ±	5 PLC ±	WEIGHT	DRAWING NO 643406
ANGLES 40°-90°	FINISH	CUSTOMER DRAWING	SCALE 5:1
MATERIAL SEE TABLE	FINISH SEE TABLE	SCALE 5:1	SHEET 1 OF 1

